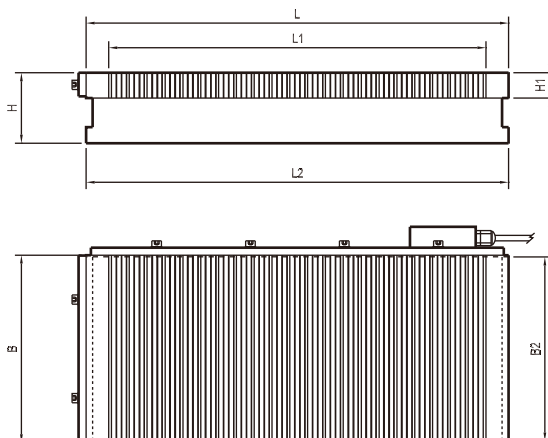


ELECTROPERMANENTMAGNETISCH ELECTRO-PERMANENT MAGNETIC



GRINDING

• Elektropermanent-Magnetspanplatte mit feiner Polteilung

Anwendung:

Zum universellen Spannen von Werkstücken

Merkmale:

- Polteilung 5 mm Ms/ 0,5 mm St/ 5 mm Ms/ 0,5 mm St/ 5 mm Ms/ 3 mm St
- Nennhaftkraft max. 140 N/cm²
- keine Verformung durch Elektro-Permanent-Technologie
- Entmagnetisierung
- Kühlmittel- und wasserdichte Konstruktion
- minimale mechanische Verformung durch massive Monoblockkonstruktion

• finepitch electro-permanent magnetic chuck

Use:

for versatile clamping on a broad range of workpiece sizes

Features:

- pole pitch 5+0.5+5+0.5+5+3 mm
- highest uniform clamping force up to 140N/cm²
- electro-permanent technology with no deformation owing to the rise of the temperature
- can eliminate the residual magnetism from the workpiece
- coolant and water proof structure
- minimum mechanical deformation with solid one-piece housing

Modell Model	Abmessung Size	Breite(B) Width	Länge(L) Length	Basisbreite(B2) Base Width	Basislänge(L2) Base Length	Höhe(H) Height	L1	H1	Eigengewicht Net Weight
EPA	2040	200 (7.87)	400 (15.75)	196 (7.72)	400 (15.75)	75 (2.95)	364 (14.33)	27 (1.06)	44 kg / 97 lb
EPA	2550	250 (9.84)	500 (19.69)	246 (9.69)	500 (19.69)	75 (2.95)	440 (17.32)	27 (1.06)	66 kg / 145 lb
EPA	3060	300 (11.81)	600 (23.62)	296 (11.65)	600 (23.62)	75 (2.95)	554 (21.81)	27 (1.06)	94 kg / 207 lb
EPA	3080	300 (11.81)	800 (31.50)	296 (11.65)	800 (31.50)	75 (2.95)	744 (29.29)	27 (1.06)	128 kg / 282 lb
EPA	30100	300 (11.81)	1000 (39.37)	296 (11.65)	1000 (39.37)	75 (2.95)	934 (36.77)	27 (1.06)	160 kg / 352 lb
EPA	30120	300 (11.81)	1200 (47.24)	296 (11.65)	1200 (47.24)	75 (2.95)	1128 (44.41)	27 (1.06)	201 kg / 443 lb
EPA	30150	300 (11.81)	1500 (59.06)	296 (11.65)	1500 (59.06)	75 (2.95)	1432 (56.38)	27 (1.06)	240 kg / 528 lb
EPA	4060	400 (15.75)	600 (23.62)	396 (15.59)	600 (23.62)	75 (2.95)	554 (21.81)	27 (1.06)	128 kg / 282 lb
EPA	4080	400 (15.75)	800 (31.50)	396 (15.59)	800 (31.50)	75 (2.95)	744 (29.29)	27 (1.06)	171 kg / 376 lb
EPA	40100	400 (15.75)	1000 (39.37)	396 (15.59)	1000 (39.37)	75 (2.95)	934 (36.77)	27 (1.06)	213 kg / 469 lb
EPA	40120	400 (15.75)	1200 (47.24)	396 (15.59)	1200 (47.24)	75 (2.95)	1128 (44.41)	27 (1.06)	256 kg / 563 lb
EPA	40150	400 (15.75)	1500 (59.06)	396 (15.59)	1500 (59.06)	75 (2.95)	1434 (56.46)	27 (1.06)	320 kg / 704 lb
EPA	40200	400 (15.75)	1000 (39.37)x2	396 (15.59)	1000 (39.37)x2	75 (2.95)	934 (36.77)x2	27 (1.06)	427 kg / 939 lb
EPA	5060	500 (19.69)	600 (23.62)	496 (19.53)	600 (23.62)	75 (2.95)	554 (21.81)	27 (1.06)	160 kg / 352 lb
EPA	5080	500 (19.69)	800 (31.50)	496 (19.53)	800 (31.50)	75 (2.95)	744 (29.29)	27 (1.06)	213 kg / 469 lb
EPA	50100	500 (19.69)	1000 (39.37)	496 (19.53)	1000 (39.37)	75 (2.95)	934 (36.77)	27 (1.06)	267 kg / 587 lb
EPA	50120	500 (19.69)	1200 (47.24)	496 (19.53)	1200 (47.24)	75 (2.95)	1128 (44.41)	27 (1.06)	320 kg / 704 lb
EPA	50150	500 (19.69)	1500 (59.06)	496 (19.53)	1500 (59.06)	75 (2.95)	1434 (56.46)	27 (1.06)	400 kg / 880 lb
EPA	50200	500 (19.69)	1000 (39.37)x2	496 (19.53)	1000 (39.37)x2	75 (2.95)	934 (36.77)x2	27 (1.06)	534 kg / 1175 lb
EPA	6080	600 (23.62)	800 (31.50)	596 (23.46)	800 (31.50)	75 (2.95)	744 (29.29)	27 (1.06)	256 kg / 563 lb
EPA	60100	600 (23.62)	1000 (39.37)	596 (23.46)	1000 (39.37)	75 (2.95)	934 (36.77)	27 (1.06)	320 kg / 704 lb
EPA	60120	600 (23.62)	1200 (47.24)	596 (23.46)	1200 (47.24)	75 (2.95)	1128 (44.41)	27 (1.06)	384 kg / 845 lb
EPA	60150	600 (23.62)	1500 (59.06)	596 (23.46)	1500 (59.06)	75 (2.95)	1434 (56.46)	27 (1.06)	481 kg / 1058 lb
EPA	60200	600 (23.62)	1000 (39.37)x2	596 (23.46)	1000 (39.37)x2	75 (2.95)	934 (36.77)x2	27 (1.06)	641 kg / 1410 lb
EPA	60220	600 (23.62)	1100 (43.30)x2	596 (23.46)	1100 (43.30)x2	75 (2.95)	1048 (41.26)x2	27 (1.06)	705 kg / 1551 lb
EPA	60250	600 (23.62)	1250 (49.21)x2	596 (23.46)	1250 (49.21)x2	75 (2.95)	1200 (47.24)x2	27 (1.06)	802 kg / 1764 lb
EPA	70150	700 (27.56)	1500 (59.06)	696 (27.40)	1500 (59.06)	75 (2.95)	1434 (56.46)	27 (1.06)	561 kg / 1234 lb
EPA	75150	750 (29.53)	1500 (59.06)	746 (29.37)	1500 (59.06)	75 (2.95)	1434 (56.46)	27 (1.06)	601 kg / 1322 lb

Maße: mm(in) Unit: mm(in)