

PLN

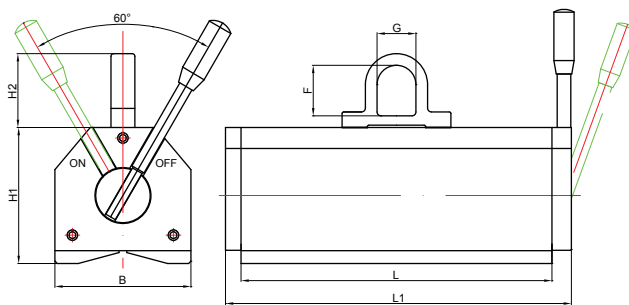
PERMANENT LIFTER

permanent lifting magnet especially for small room space or very high frequency mag and demag

Features

- Suitable to lift plates and rounds
- Strong clamping force while small and compact in size
- Mag and demag switch mechanism can be handled easily as travel angle is small
- Switch mechanism can also prevent the accidental demag
- Large clamping area makes stable holding
- Lifting eye is replaceable which can be good for special application

Applications



Specifications

mm(inch)

Model	Size	Safe Working Load	B	L	L1	H1	H2	F	G	Net Weight
PLN	150	150 kg/330 lb	90 (3.54)	132 (5.2)	162 (6.38)	90 (3.54)	53 (2.09)	36 (1.42)	28 (1.1)	8 kg / 17.6 lb
PLN	300	300 kg/660 lb	90 (3.54)	232 (9.13)	262 (10.31)	90 (3.54)	70 (2.76)	50 (1.97)	40 (1.57)	13 kg / 28.6 lb
PLN	600	600 kg/1320 lb	136 (5.35)	270 (10.63)	300 (11.81)	136 (5.35)	95 (3.74)	65 (2.56)	50 (1.97)	36 kg / 79.2 lb
PLN	1000	1000 kg/2200 lb	175 (6.89)	400 (15.75)	447 (17.60)	175 (6.89)	95 (3.74)	65 (2.56)	50 (1.97)	70 kg / 154 lb

Load Capabilities

mm(Inch)

Model	Size	Load Plate Max	Plate Min Thickness	Plate Max Length	Load Round Max	Round Min Thickness	Round Max Diameter
PLN	150	150 kg/330 lb	15 (0.59)	1000 (39.37)	60 kg/132 lb	6 (0.24)	150 (5.9)
PLN	300	300 kg/660 lb	20 (0.79)	2000 (78.74)	120 kg/264 lb	10 (0.39)	180 (7.09)
PLN	600	600 kg/1320 lb	25 (0.98)	2500 (98.43)	240 kg/528 lb	15 (0.59)	250 (9.84)
PLN	1000	1000 kg/2200 lb	40 (1.57)	3000 (118.11)	400 kg/880 lb	25 (0.98)	280 (11.02)